



Eterna

Acoustic

RIGID LUXURY VINYL TILES



Content

T A B L E

#01	Intro p. 4	#05	The perfect finish p. 12
#02	Why choose Eterna Acoustic? p. 6	#06	Looks p. 14
#03	How is this premium rigid flooring made? p. 8	#07	Floors better for today, in every way p. 32
#04	Installation p. 10	#08	Technical specifications p. 34



Intro

#01

ET ERNA ACOUSTIC

Rigid Luxury Vinyl Tiles (LVT) are perfect for homes wanting a beautiful, natural looking floor that's easy to install, durable and simple to look after. Thanks to a dense and solid core, they can be installed over uneven subfloors and with the speed of a Uniclic® joint, they're a great choice for renovation. Take advantage of the integrated pad that also reduces noise, and installation is even simpler. With all the advantages that make vinyl floors so easy to enjoy, Rigid LVT is perfect for today's busy family homes.

Our Belgian design team has made sure that Eterna Acoustic features all the benefits of Rigid LVT in a floor that brings you closer to nature. Setting an atmosphere that's always sophisticated, Eterna Acoustic presents unique and original wood and tile designs that add elegance and a premium finish to home interiors.

“

*Authentic designs and enduring strength
ensure a timeless premium floor.*

”



Why choose Eterna Acoustic?

#02

BENEFITS OF ETERNA ACOUSTIC

Quick and straightforward to install, durable in use and wonderfully simple to maintain, Eterna Acoustic brings a premium floor for homes demanding the best in quality.

The assured benefits of vinyl

Eterna Acoustic has all the practical advantages you could want from a floor. Water-resistant and with exceptional scratch and stain protection, Eterna Acoustic is made to withstand daily use in the busiest of homes. And with a construction that's 100% recyclable, it's a reassuring choice for the planet too.



Renovation friendly

With a rigid and dense core that stops unevenness and the time-tested Uniclic® joint, Eterna Acoustic's advanced multi-layer construction is ideal for renovation. Thanks to its integrated pad that eliminates the need for a separate underlay, Eterna Acoustic is even easier to install.



Close to nature designs

Designed completely in-house in Belgium, Eterna Acoustic's broad range of wood, stone and concrete looks are recreated in exquisite detail. With a textured surface, extra-matt top layer, and a large variety of planks or tiles in every design for authenticity, homes step closer to nature.



Best in strength and quality

Tested to the world's most stringent standards and endorsed by IVC Group, you can trust the quality and premium construction of Eterna Acoustic. With a strong core, hardwearing 0,55 mm wear finish and superior scratch and stain protection, Eterna Acoustic is made to endure.



#03

How is this premium rigid flooring made?

PRODUCT BUILD-UP OF ETERNA ACOUSTIC

Eterna Acoustic uses the latest innovation in compact flooring construction to provide a beautiful and strong floor that delivers on every front. At the heart of Eterna Acoustic is the rigid core that ensures excellent stability and easy installation. Combined with a high-quality protective lacquer and an integrated pad, it's a construction that provides exceptional performance.

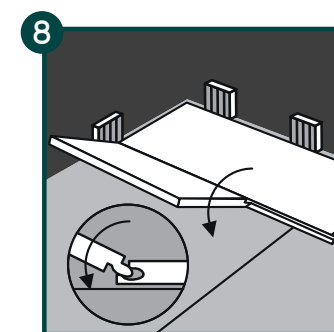
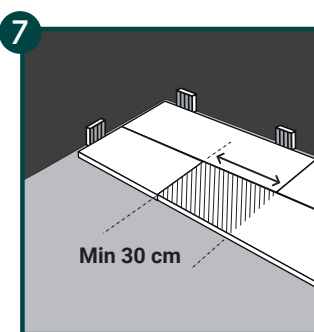
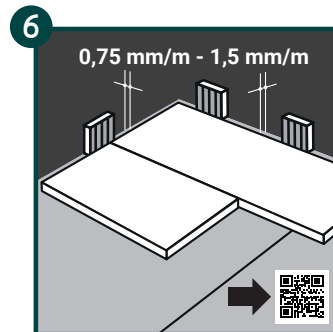
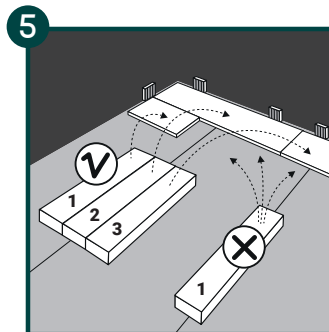
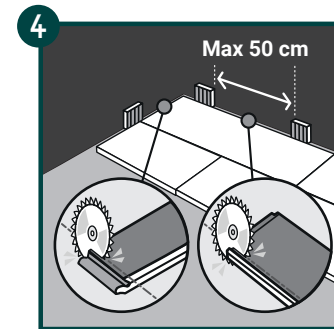
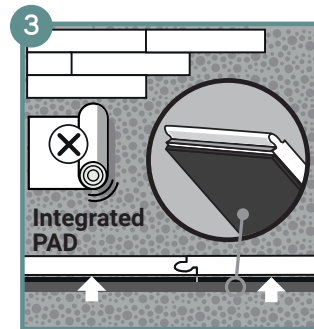
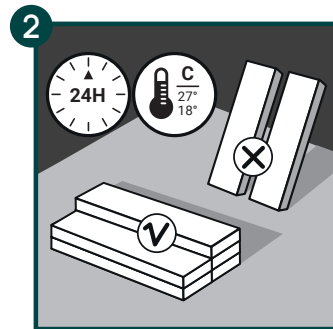
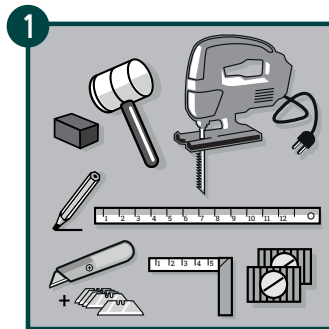
Let's look at Eterna Acoustic's multi-layer construction in a little more detail:

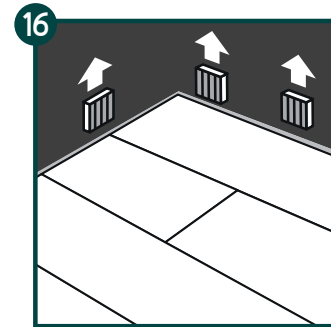
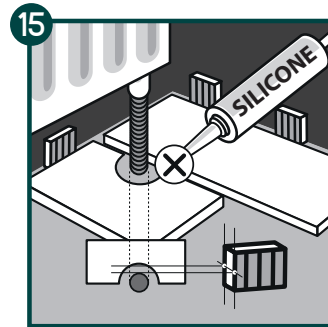
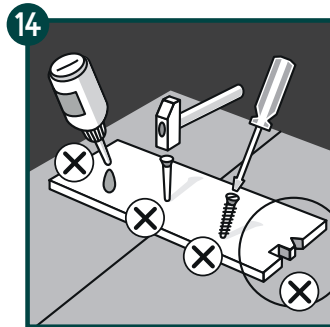
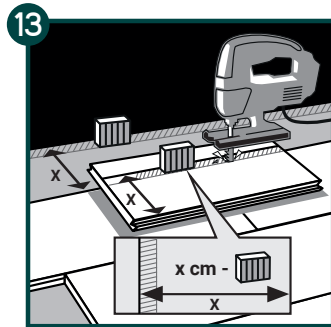
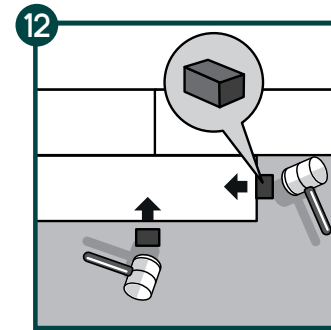
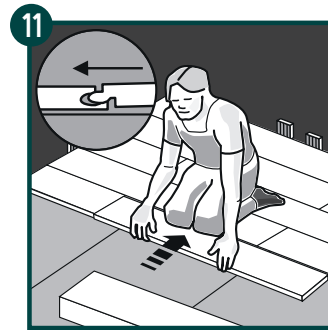
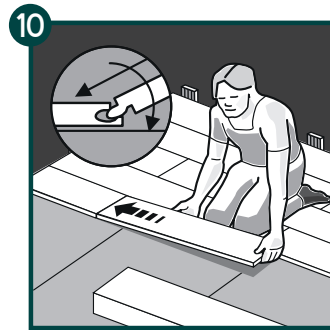
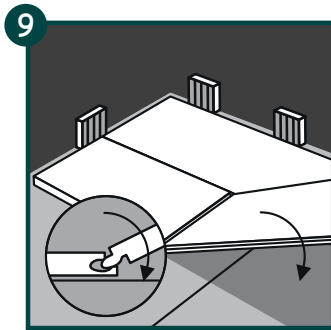
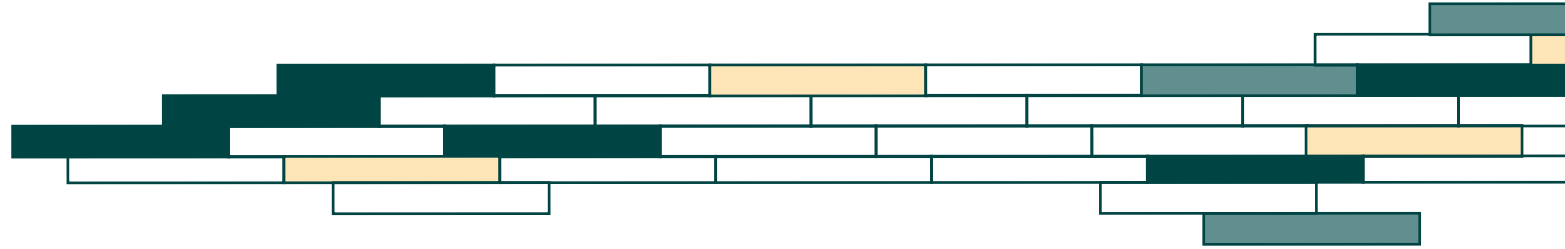


Installation

WORRY - FREE RIGID CLICK SYSTEM

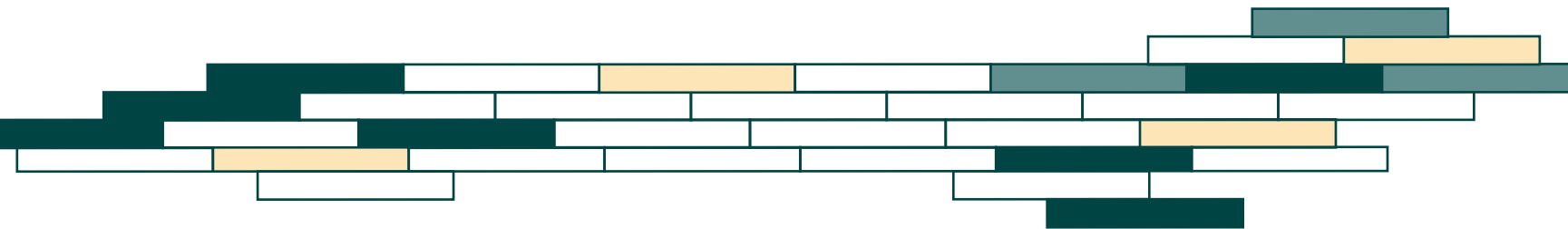
Eterna Acoustic's rigid core and reliable Uniclic® locking system assures a smooth installation for a lasting result. Featuring an integrated pad, it eliminates the need for a separate underlay.





For detailed **Eterna Acoustic** installation instructions, please visit www.installandclean.com/en/lvtrigidwithpaduniclic

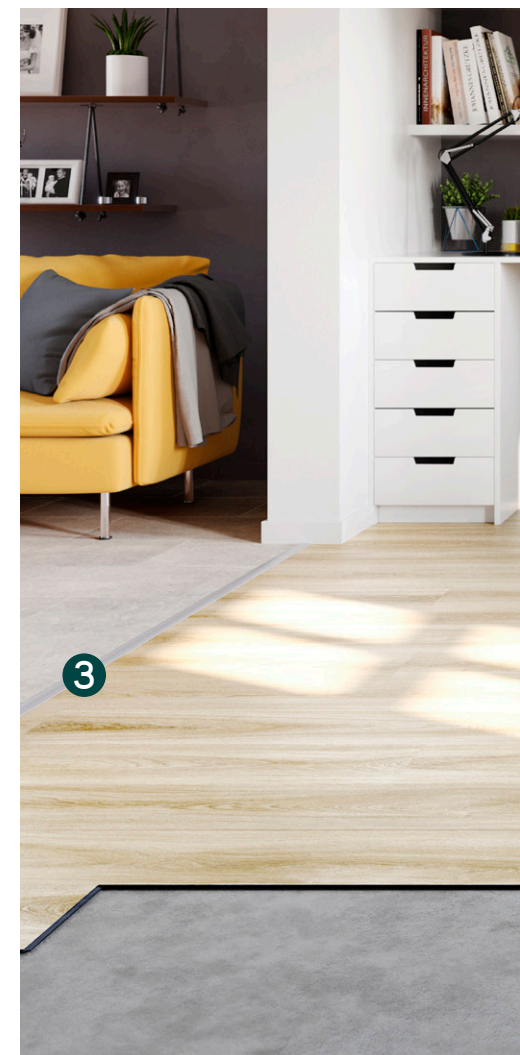
#05



For the perfect finish, you need the perfect range of accessories. From skirtings to profiles, we have everything you need, made to the same exacting standards as your Eterna Acoustic floor.



For more info, please check www.xtrafloor.com



The perfect finish

#05

ACCESSORIES TO EASE YOUR MIND



1. Stair profiles



2. End profile



3. Expansion profile



4. Radiator cap



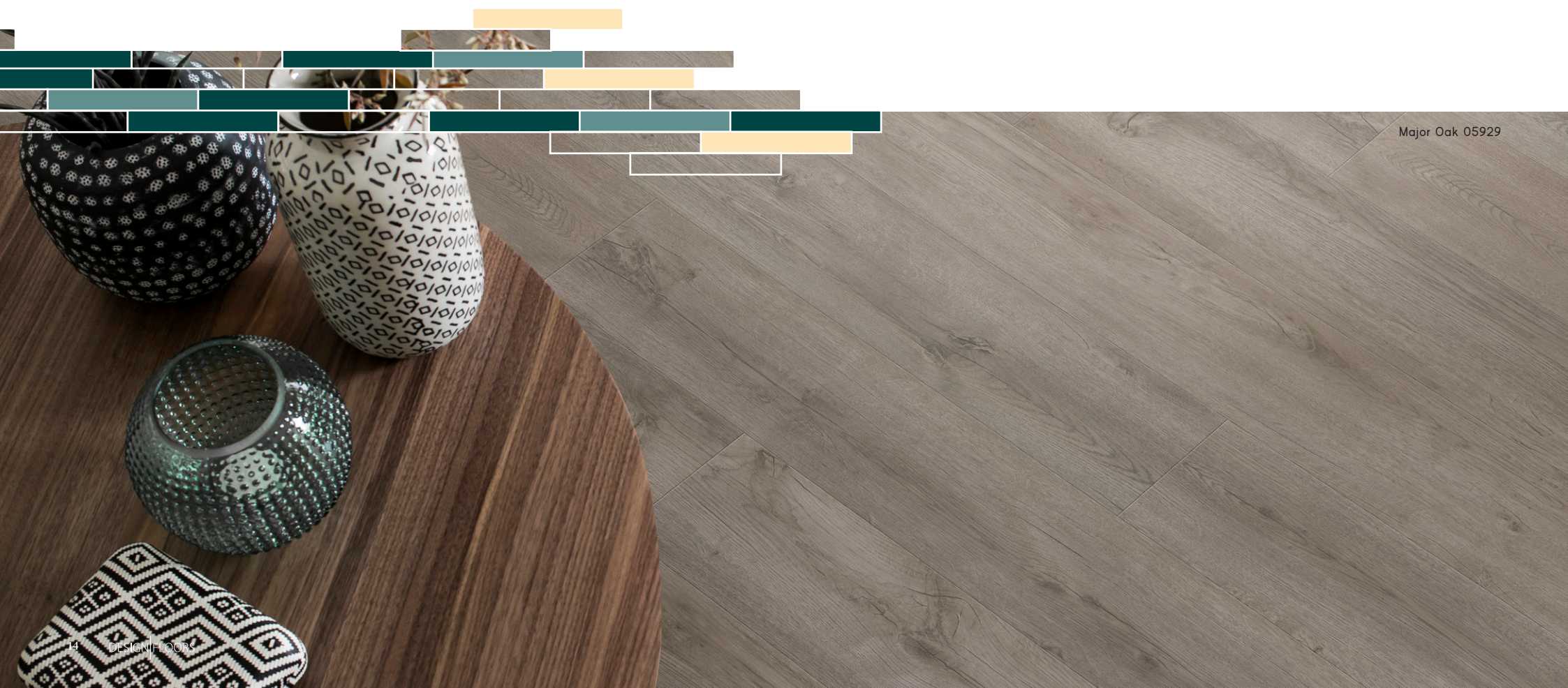
5. Paintable skirting

#06

Looks

C L O S E R T O N A T U R E

Designed in Belgium, Eterna Acoustic contains a wide range of oaklook planks and modern stonelook tiles. The collection varies from very modern, subtle and calm visuals to a more rustic look with knots and cracks. Ranging from cooler shades of grey to warm blond and deep brown in colour, these oak patterns enhance a truly natural look for your interior. A wider plank and sharp emboss make it even more contemporary. The stone look patterns come in 3 different colours concretelook, a metallic pattern for a rich and uplifting look and an expressive terrazzolook. Finished with a modest bevel and an extra matt coating, the Eterna Acoustic collection fits seamlessly into all interior trends.



Major Oak 05929





Chapman Oak



05221



05321



05890



Click Uniclic®
Available in:
18,1 x 122 cm



4 sided modest bevel



Thickness
6 mm (incl. integrated pad)



Wear layer
0,55 mm

#06

Major Oak



05829



05855



05863



05871



05929



Click Un clic®
Available in:
18,1 x 122 cm



4 sided modest bevel



Thickness
6 mm (incl. integrated pad)



Wear layer
0,55 mm





Sebastian Oak



05108



05325



Click Uniclic®
Available in:
18,1 x 122 cm



4 sided modest bevel



Thickness
6 mm (incl. integrated pad)



Wear layer
0,55 mm

#06

Somerset Oak



05229



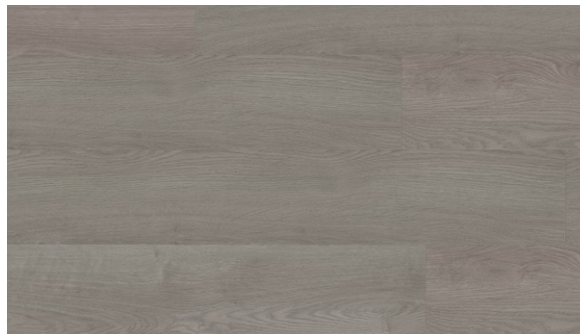
05333



05815



05906



05933



05950



Click Uniclic®
Available in:
18,1 x 122 cm



4 sided modest bevel



Thickness
6 mm (incl. integrated pad)



Wear layer
0,55 mm





Summer Oak



05225



05859



Click Uniclic®
Available in:
18,1 x 122 cm



4 sided modest bevel



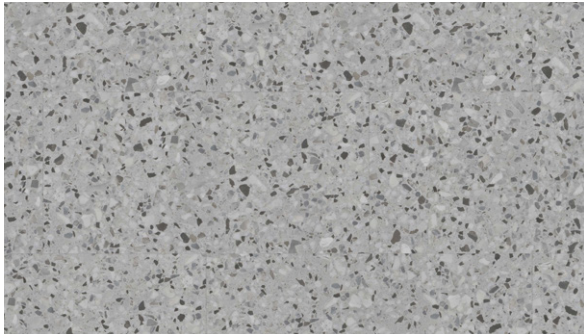
Thickness
6 mm (incl. integrated pad)



Wear layer
0,55 mm

#06

Ravello



15928



Click Un clic®
Available in:
30,5 x 61 cm



4 sided modest bevel



Thickness
6 mm (incl. integrated pad)



Wear layer
0,55 mm





Ponza



14107



14911



14987



Click Uniclic®
Available in:
30,5 x 61 cm



4 sided modest bevel



Thickness
6 mm (incl. integrated pad)



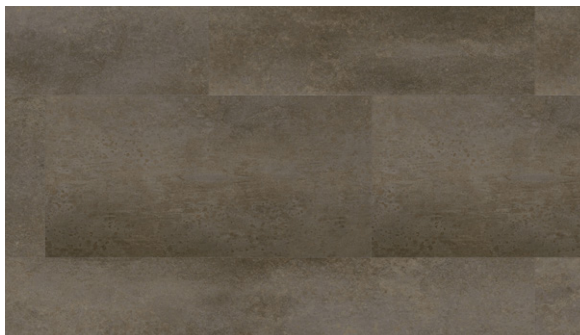
Wear layer
0,55 mm

#06

Catania



14213



14874



Click Un clic®
Available in:
30,5 x 61 cm



4 sided modest bevel



Thickness
6 mm (incl. integrated pad)



Wear layer
0,55 mm



#07 Floors better for today

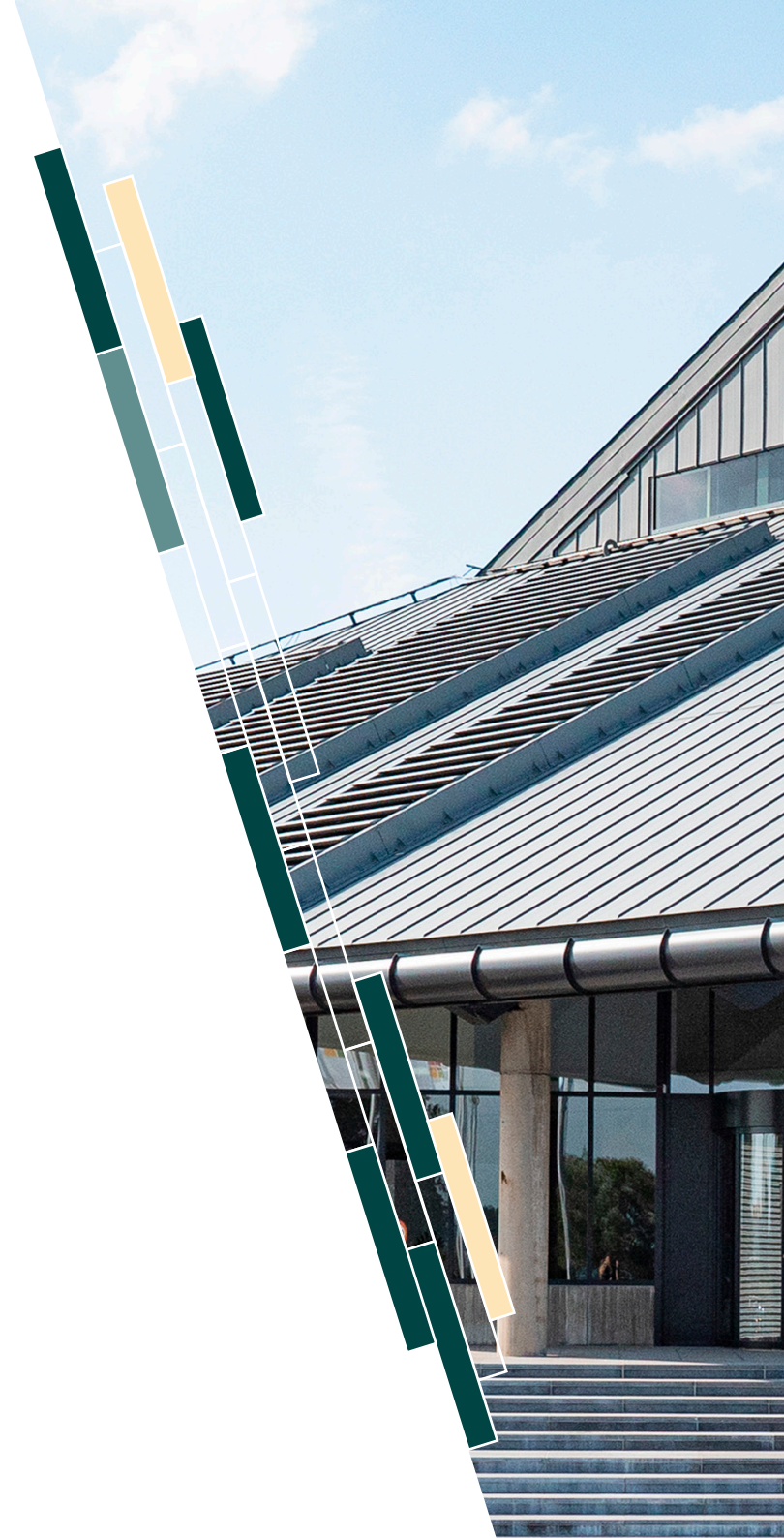
IN EVERY WAY

IVC Group is a global player in the design and manufacture of flooring solutions including Luxury Vinyl Tiles (LVT), Sheet Vinyl & Carpet Tiles for use in public and private environments. Accountable for our actions, we design and make floors responsibly in Belgium, developing a circular approach to the future of flooring.

IVC Group is part of Mohawk Industries Inc., the world's largest flooring company. With 1,500 employees and 7 production sites in Europe and Russia, IVC Group produces over 130,000,000 m² of flooring every year.

Did you know...

that IVC Group employs over 30 different nationalities worldwide? That's the many cultures and inspirations which go into our eclectic floor designs, explaining their global appeal.





At IVC Group, we believe that innovation is the best way to create better floors for today's homes. Our Rigid LVT technology ensures that you benefit from a floor that's not only beautiful to look at, but also simple to install, long-lasting and easy to maintain.

We've submitted Eterna Acoustic to a series of stringent external tests for the international standard EN 16511. By exposing Eterna Acoustic to tests on quality, wear and strength; this new standard is a sign that we're committed to delivering you premium quality floors that are better for today, in every way.

Flooring Development Centre
in Waregem, Belgium

Technical specifications

OF ETERNA ACOUSTIC

PRODUCT INFORMATION

Level of use EN ISO 10874 23 - 33

Total thickness EN ISO 24346 6 mm (incl. integrated pad)

Wear layer EN ISO 24340 0.55 mm

Wear layer PUR treatment Superguard®

Total weight g/m² EN ISO 23997 8160

SIZE & PACKING

Planks EN ISO 24342 18,1 x 122 cm

Tiles EN ISO 24342 30,5 x 61 cm

Box planks 2,21 m²/box
10 pcs/box

Box tiles 2,23 m²/box
12 pcs/box

TEST RESULTS

Inflammability EN 13501-1 Bfl-S1

Abrasion group EN 660-2 Group T

Scratch resistance EN 16094 ≤ MSR-A2 | ≤ MSR-B2

Slip resistance EN 13893 DS

Slip restraint DIN 51130 ≥ R10

Residual indentation EN 24343-1 ≤ 0,12 mm

Furniture leg resistance EN ISO 16581 No visible damage

Impact resistance EN 13329 Annex F ≥ 1800 mm

Curling EN ISO 23999 ≤ | 1 | mm

Dimensional stability EN 23999 Value: ≤ 0,15%

Acoustic insulation EN ISO 717-2 Δ Lw = 17 dB

Castor chair resistance EN ISO 4918 No damage to wearlayer, no delamination

Stain resistance EN 438-2 Very good

Light fastness EN ISO 105-B02 ≥ 6

Underfloor heating EN 12524 Suitable, max 27°C

Maximum allowed ambient and surface temperature 45°C

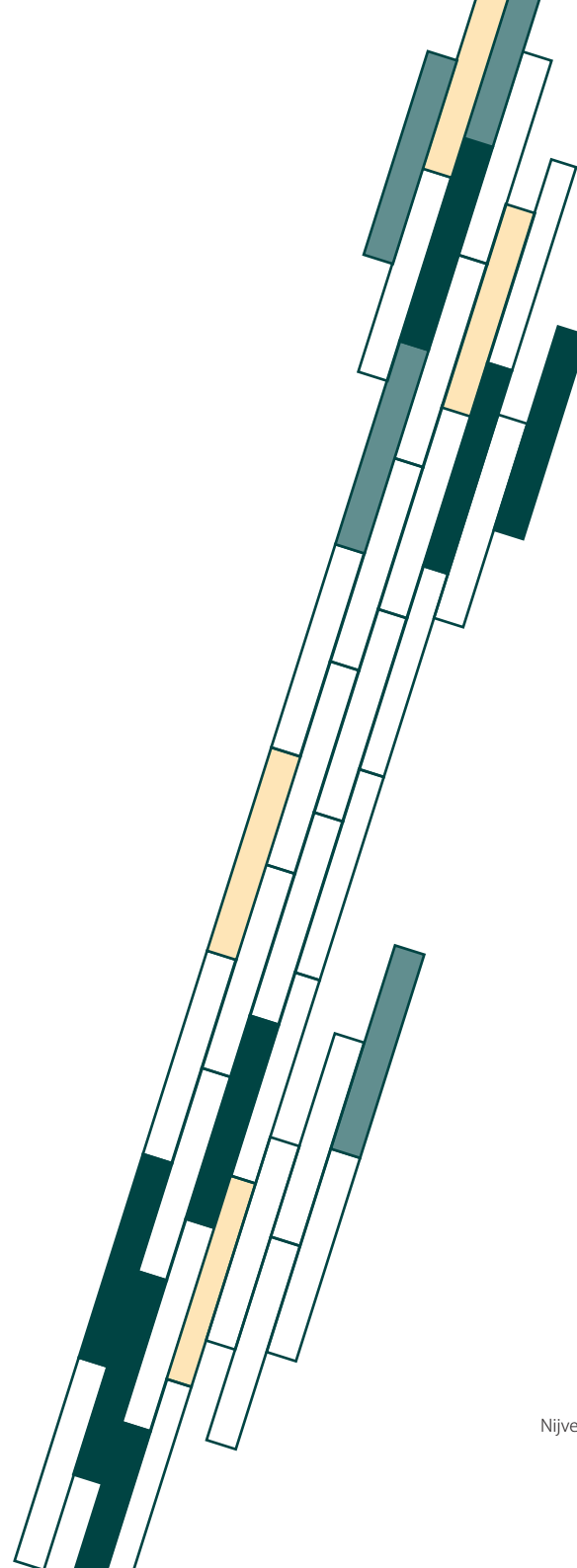
Warranty (year) 12 Residential - 5 Commercial

CE	22	EN14041:2004/AC:2006	Reaction to fire	PCP	Formaldehyde emission	Slip resistance
			Bfl-s1	< 5PPM	E1	DS
IVC bv - Nijverheidslaan 29 B-8580 Avelgem, Belgium 0032/56/67/5211	DOP - LVT	ivcgroup.com	Water-tightness	Electrical resistance	Thermal resistance	Antistatic performance
			NA	NPD	NPD	NPD
LVT Rigid / 5+1 mm / 0,55 mm for indoor use according to EN ISO 16511						

The warranty covers manufacturing defects and premature wear in the event of normal use.







DESIGN | FLOORS
by **ivc**group

Nijverheidslaan 29 | 8580 Avelgem | Belgium
T +32 (0)56 653 211 | info@ivcgroup.com
www.ivcgroup.com
BTW BE 0866.682.231